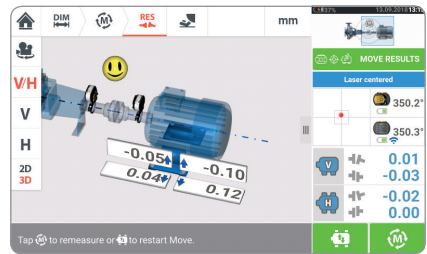
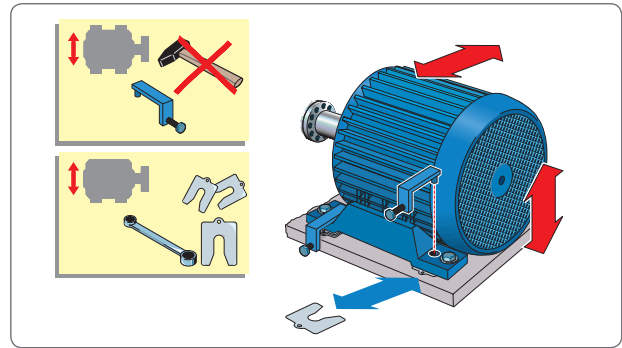
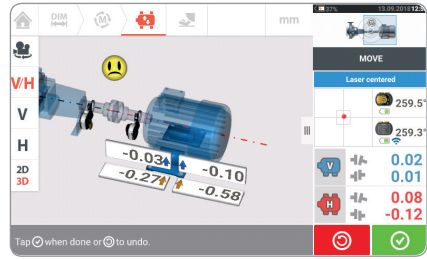


## Corrections with Live Move



**db** PRÜFTECHNIK

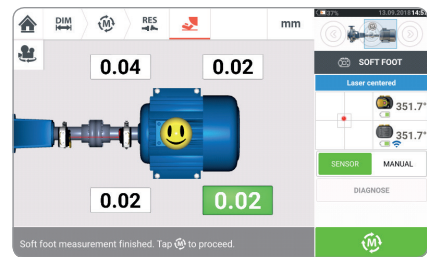
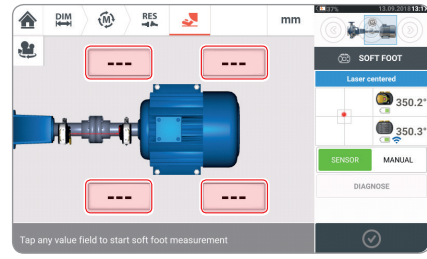
## Contact

Fluke Deutschland GmbH  
 Freisinger Str. 34  
 85737 Ismaning, Germany  
 +49 89 99616-0  
 www.pruftechnik.com

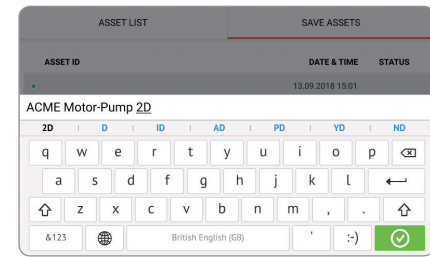
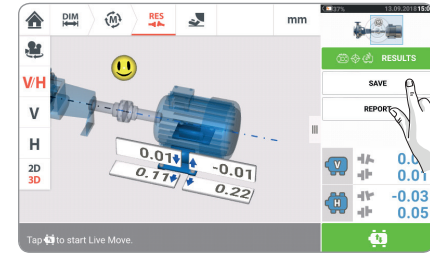


Contents subject to change without further notice, particularly in the interest of further technical development. © Copyright 2018 by Fluke Reliability

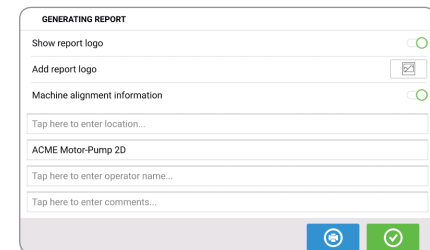
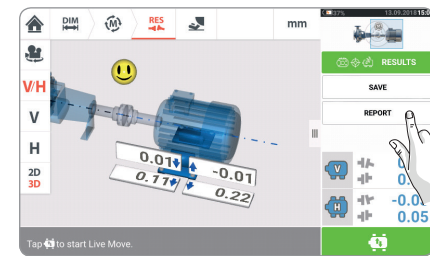
## Check soft foot



## Save measurement file



## Generate measurement report



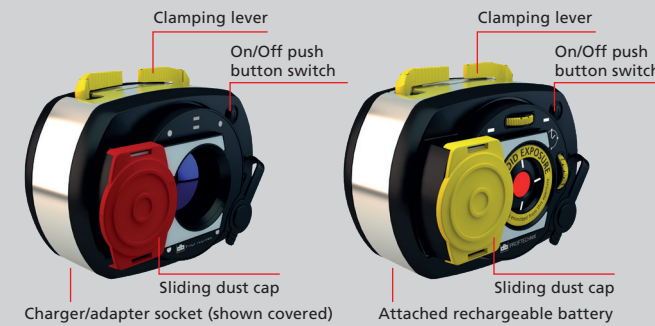
**FLUKE**  
Reliability

# ROTALIGN<sup>®</sup> touch Shaft – Pocket guide

## touch device



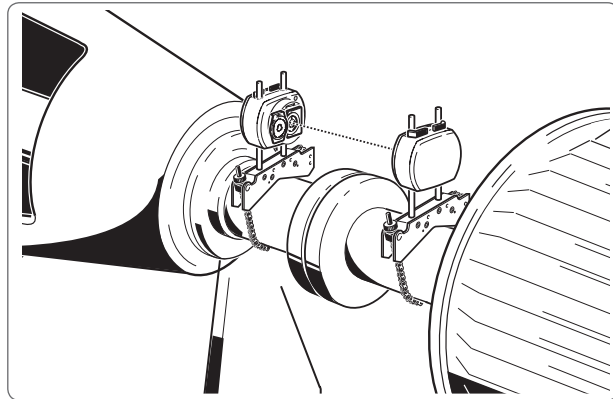
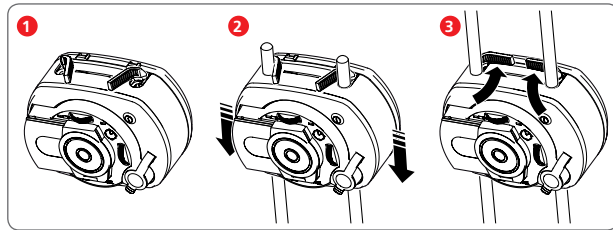
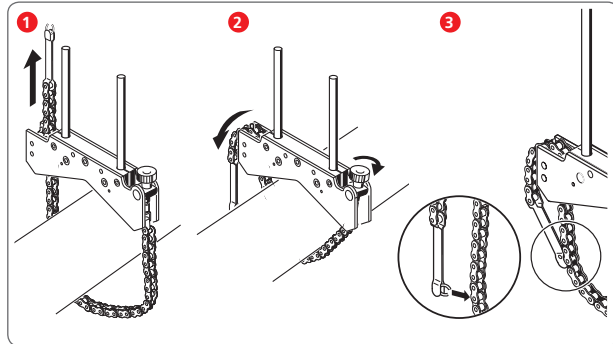
## sensALIGN<sup>®</sup> 7 sensor and laser



sensALIGN 7 sensor

sensALIGN 7 laser

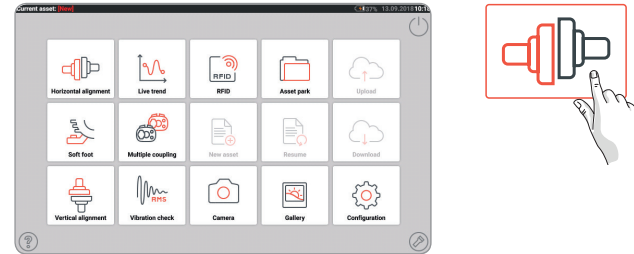
## 1. Mount components



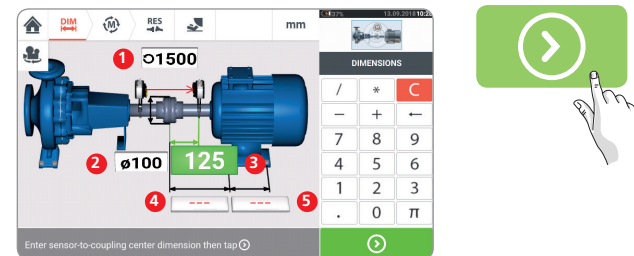
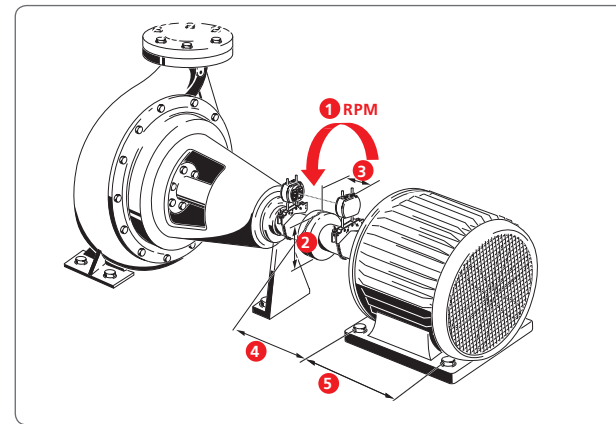
## 2. Switch components on



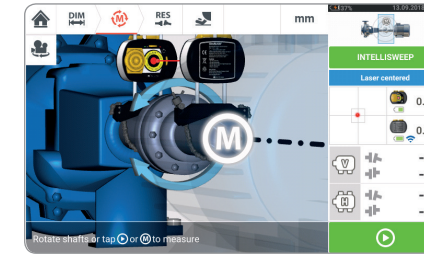
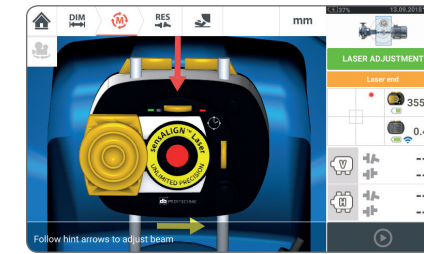
## 3. Start application



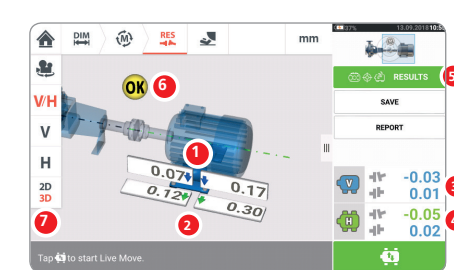
## 4. Enter dimensions



## 5. Adjust laser and measure

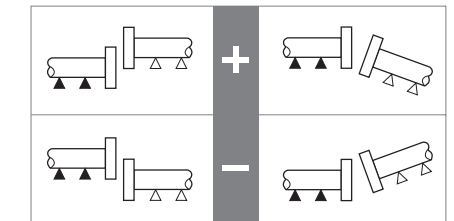


## 6. View results



- 1 Vertical feet position
- 2 Horizontal feet position
- 3 Vertical coupling results
- 4 Horizontal coupling results
- 5 Selected results mode
- 6 Alignment condition tolerance icon
- 7 Horizontal and Vertical foot results in 3D

### Sign convention



### Tolerance

